

# 470x<sub>3</sub> SPECIFICATIONS

## SAE Net Horsepower:

with fan pump: 329 HP (245 kW)

without fan pump: 362 HP (270 kW)

Operating Weight: 111,554 lbs. (50 600 kg)

Digging Depth: 24 ft. 10 in. (7.57 m)



# PRELIMINARY

## Engine

Isuzu AL-6UZ1X Tier 4A turbocharged diesel engine with electronic control (ECM) and high pressure common-rail fuel injection, 6-cylinder, Water-cooled, Cooled Exhaust Gas Recirculation (CEGR), Intercooler, Variable-Geometry Turbocharger (VGT), Diesel Particulate Diffuser (DPD) with Diesel Oxidation Catalyst (DOC) and Diesel Particulate Filter (DPF) for "passive regeneration" of exhaust emissions, Electronic fuel pump and priming, Fuel cooler, Auto-idle start, Auto warm-up, Reversible Fan, EPF engine protection, Dual-stage fuel filtration, In-cab fuel filter restriction indicator, Remote oil filter, Green plug oil drain, Double element air filter.

### SAE Net Horsepower

without fan pump ..... 362 hp (270 kW) @ 2,000 rpm  
with fan pump ..... 329 hp (245 kW) @ 2,000 rpm

Displacement ..... 600 cu in (9.8 L)

Max. Torque... 1,058 lbf-ft (1,435 Nm) @ 1,500 rpm

Starter ..... 24V-5.5 kW

Alternator ..... 50 amp

Battery ..... (2) 12-volt 128 amp hours

## Cab and Controls

ROPS enclosed cab with climate control A/C and heat with defroster, Control panel with LED Hi-Definition color monitor, Rearview camera display, Fuel-efficiency gauge, DPF regeneration gauge, Low-effort joysticks pre-wired for auxiliary hydraulics, Control pattern changer, Safety glass windows, Sunroof with sunshade, Shockless cab suspension with four fluid mountings, KAB® reclining suspension seat, Sliding 4-position tilting control consoles, AM/FM sound system with MP3 auxiliary input jack, Digital clock, Dome light, Seat belt, Coat hook, Cup holder, Storage compartments, Floor mat, Footrests, Ashtray, 24-volt cigarette lighter, 12-volt outlet, Travel alarm, Handrails, Mirrors, Side-entry cab filter, Spare parts kit.

Four selectable working modes, Anti-theft password protection system, On-board self-diagnostic system with memory and service interval reminders, Auto-idling system, One-touch decelerator, Auto-idle engine shutdown, Auto-power boost, Neutral safety start, Gate-lock safety shutoff.

A/C Rating ..... 19,840 BTU/h

Heater Rating ..... 21,030 BTU/h

Sound Level - Cab Interior ..... 73.0 dB(A)

Sound Level - Exterior ..... 104.0 dB(A)

## Hydraulic System

Open-center system, Two variable-displacement axial-piston pumps and one gear pump for pilot controls, Main control valve with one 4-spool section and one 5-spool section with auxiliary spool: stackable, Auxiliary Control System, Oil cooler, Auto-power boost, Boom and arm holding valves, 6 micron return filter, Firewall.

### Hydraulic Pumps

Pump Output ..... 2 x 96.2 gpm (364 L/min)

Pilot Pump Maximum Flow... 7.9 gpm (30.0 L/min)

### Relief Valve Settings

Boom Up/Arm/Bucket ..... 4,550 psi (31.4 MPa)

in Power Boost ..... 4,970 psi (34.3 MPa)

Boom Down ..... 3,550 psi (24.5 MPa)

Swing Circuit ..... 4,260 psi (29.4 MPa)

Travel Circuit ..... 4,970 psi (34.3 MPa)

### Hydraulic Cylinders

number of cylinders - bore x rod x stroke

Boom ..... 2 - 6.7" x 4.5" x 61.0"

(170 mm x 115 mm x 1,550 mm)

Arm ..... 1 - 7.5" x 5.1" x 71.7"

(190 mm x 130 mm x 1,820 mm)

Bucket ..... 1 - 6.5" x 4.5" x 50.6"

(165 mm x 115 mm x 1,285 mm)

## Swing

Planetary reduction powered by axial-piston motor, Internal ring gear with grease cavity for swing pinion, Swing bearing is single-row, shear type ball bearing, Mechanical disc swing brake, Auto-power swing.

Swing Speed ..... 9.1 rpm

Tail Swing ..... 12' 3" (3.73 m)

Swing Torque ..... 110,634 lbf-ft (150.0 kNm)

## Undercarriage

Fixed or expandable carbody with 17' 11" (5.45 m) LC long undercarriage, Sealed and strutted track chain with track guide, Sealed rollers and idlers, Two-speed independent hydrostatic travel with compact planetary final drive, Disc type brakes, Adjustable track tension, Carbody belly pan.

Track Rollers ..... 9 per Side

Track Link Pitch ..... 9.00" (229 mm)

Shoes ..... 50 per Side

Shoe Width ..... 35.5" (900 mm)

### Ground Pressure

Fixed Undercarriage ..... 8.12 psi (0.056 MPa)

Expandable Undercarriage... 8.41 psi (0.058 MPa)

## Travel System

Two-speed independent hydrostatic travel with compact axial-piston motors, Hydraulic motor powered output shaft coupled to a planetary reduction drive and track sprocket, All hydraulic components mounted within the width of side frame, Automatic downshift for high torque to overcome obstacles, Spring-applied hydraulic release parking brake built into each motor, Travel motors equipped with counterbalance valve to prevent over-speeding down an incline, Single-pedal straight line travel.

Travel Speeds ..... 2.0 - 3.3 mph (3.2 - 5.3 km/h)

Drawbar Pull ..... 76,210 lbf (339 kN)

Gradeability ..... 70% (35°)

## Attachment

Boom ..... 22' 11" (6.98 m)

Boom (Mass) ..... 21' 6" (6.55 m)

### Available Arms (Standard) Digging Force

• 11' 1" (3.38 m) ..... 42,490 lbf (189 kN)

with Auto Power Boost ..... 46,310 lbf (206 kN)

• 8' 4" (2.53 m) ..... 52,160 lbf (232 kN)

with Auto Power Boost ..... 57,100 lbf (254 kN)

• 13' 2" (4.00 m) ..... 37,090 lbf (165 kN)

with Auto Power Boost ..... 40,690 lbf (181 kN)

• 15' 11" (4.85 m) ..... 32,600 lbf (145 kN)

with Auto Power Boost ..... 35,740 lbf (159 kN)

Bucket Digging Force ..... 55,530 lbf (247 kN)

with Auto Power Boost ..... 60,700 lbf (270 kN)

### Available Arms (Mass) Digging Force

• 8' 4" (2.53 m) ..... 57,330 lbf (255 kN)

with Auto Power Boost ..... 62,720 lbf (279 kN)

Bucket Digging Force ..... 64,300 lbf (286 kN)

with Auto Power Boost ..... 70,370 lbf (313 kN)

## Lubricant and Coolant Capacity

Fuel Tank ..... 171.71 Gallons (650.0 Liters)

Hydraulic System ..... 121.52 Gallons (460.0 Liters)

Hydraulic Tank ..... 60.76 Gallons (230.0 Liters)

Final Drive (per side) ..... 3.96 Gallons (15.0 Liters)

Swing Drive ..... 2.77 Gallons (10.5 Liters)

Engine Oil ..... 9.51 Gallons (36.0 Liters)

Coolant System ..... 12.42 Gallons (47.0 Liters)

## Operating Weight

Working weight with 35.5" (900 mm) shoes, 22' 11" (6.98 m) boom, 11' 1" (3.38 m) arm, 3,350 lb. (1 520 kg) bucket, 22,046 lbs (10 000 kg) counterweight

Expandable sideframe... 111,554 lbs. (50 600 kg)

fixed sideframe ..... 108,467 lbs. (49 200 kg)

### Mass Excavator

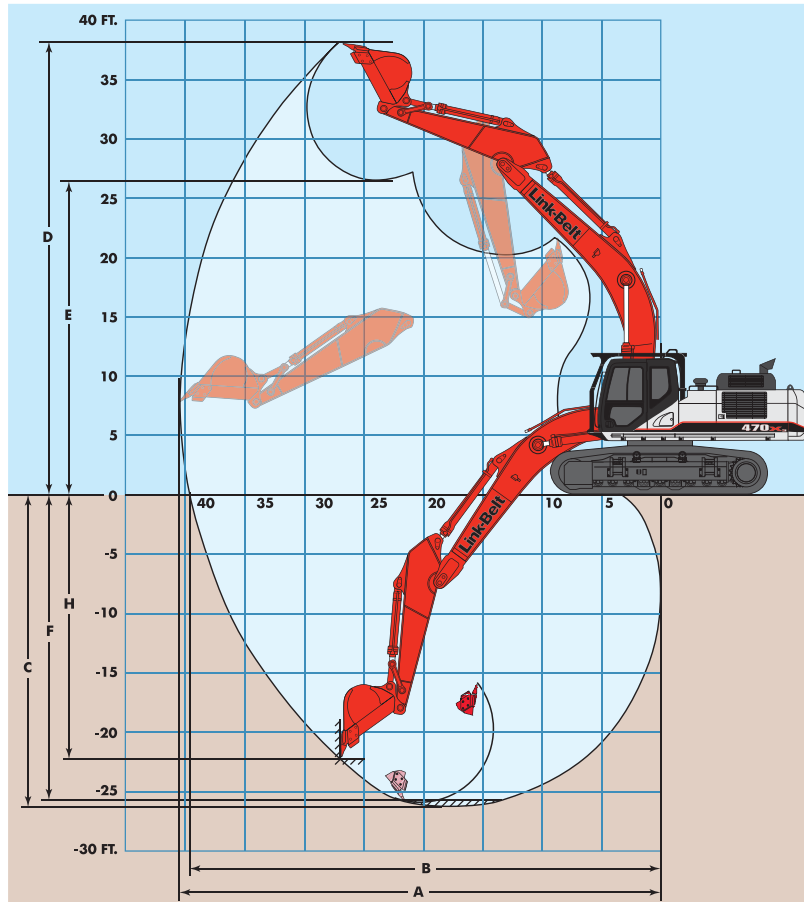
Expandable sideframe... 114,199 lbs. (51 800 kg)

fixed sideframe ..... 111,113 lbs. (50 400 kg)

# 470x<sub>3</sub> Specifications

## Working Range and Travel Dimensions

### Working Range



### 470 X3 with fixed sideframe

Machine equipped with 22' 11" (6.98 m) boom	11' 1" Arm (3.38 m)	8' 4" Arm (2.53 m)	13' 2" Arm (4.00 m)	15' 11" Arm (4.85 m)
A. Maximum reach	39' 4" (12.00 m)	36' 10" (11.23 m)	41' 2" (12.55 m)	44' 0" (13.40 m)
B. Maximum reach @ ground level	38' 7" (11.77 m)	36' 1" (10.99 m)	40' 5" (12.33 m)	43' 4" (13.20 m)
C. Maximum dig depth	25' 4" (7.72 m)	22' 6" (6.87 m)	27' 4" (8.34 m)	30' 2" (9.20 m)
D. Maximum dig height	36' 7" (11.14 m)	35' 6" (10.82 m)	37' 2" (11.34 m)	38' 11" (11.86 m)
E. Maximum dump height	25' 5" (7.74 m)	24' 4" (7.42 m)	26' 1" (7.94 m)	27' 7" (8.42 m)
F. Digging depth - 8' (2.44 m) level bottom	24' 10" (7.58 m)	21' 11" (6.69 m)	26' 11" (8.21 m)	29' 9" (9.08 m)
G. Bucket rotation	176°	176°	176°	176°
H. Maximum vertical wall depth	21' 7" (6.57 m)	18' 7" (5.67 m)	23' 6" (7.16 m)	27' 0" (8.22 m)

### 470 X3 with expandable sideframe

Machine equipped with 22' 11" (6.98 m) boom	11' 1" Arm (3.38 m)	8' 4" Arm (2.53 m)	13' 2" Arm (4.00 m)	15' 11" Arm (4.85 m)
A. Maximum reach	39' 4" (12.00 m)	36' 10" (11.23 m)	41' 2" (12.55 m)	44' 0" (13.40 m)
B. Maximum reach @ ground level	38' 6" (11.74 m)	35' 11" (10.95 m)	40' 4" (12.30 m)	43' 3" (13.17 m)
C. Maximum dig depth	24' 10" (7.57 m)	22' 1" (6.72 m)	26' 10" (8.19 m)	29' 8" (9.04 m)
D. Maximum dig height	37' 0" (11.29 m)	36' 0" (10.97 m)	37' 8" (11.49 m)	39' 5" (12.01 m)
E. Maximum dump height	25' 11" (7.89 m)	24' 10" (7.57 m)	26' 7" (8.09 m)	28' 1" (8.57 m)
F. Digging depth - 8' (2.44 m) level bottom	24' 5" (7.43 m)	21' 5" (6.54 m)	26' 5" (8.06 m)	29' 4" (8.93 m)
G. Bucket rotation	176°	176°	176°	176°
H. Maximum vertical wall depth	21' 1" (6.42 m)	18' 1" (5.52 m)	23' 0" (7.00 m)	26' 5" (8.06 m)

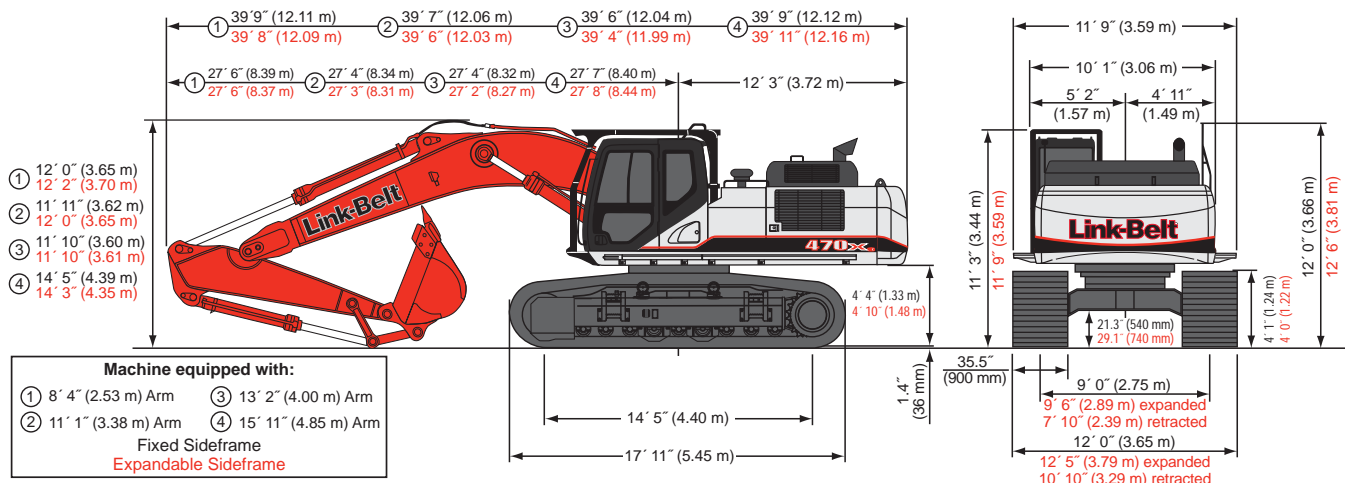
### 470 X3 Mass excavator with fixed sideframe

Machine equipped with 21' 6" (6.55 m) boom	8' 4" Arm (2.53 m)
A. Maximum reach	35' 6" (10.81 m)
B. Maximum reach @ ground level	34' 8" (10.56 m)
C. Maximum dig depth	21' 4" (6.49 m)
D. Maximum dig height	34' 6" (10.52 m)
E. Maximum dump height	23' 7" (7.18 m)
F. Digging depth - 8' (2.44 m) level bottom	20' 9" (6.32 m)
G. Bucket rotation	161°
H. Maximum vertical wall depth	16' 2" (4.92 m)

### 470 X3 Mass excavator with expandable sideframe

Machine equipped with 21' 6" (6.55 m) boom	8' 4" Arm (2.53 m)
A. Maximum reach	35' 6" (10.81 m)
B. Maximum reach @ ground level	34' 6" (10.52 m)
C. Maximum dig depth	20' 10" (6.34 m)
D. Maximum dig height	35' 0" (10.67 m)
E. Maximum dump height	24' 1" (7.34 m)
F. Digging depth - 8' (2.44 m) level bottom	20' 3" (6.16 m)
G. Bucket rotation	161°
H. Maximum vertical wall depth	15' 8" (4.77 m)

### Travel Dimensions



# Specifications **470**X<sub>3</sub>

Lifting Capacities - Fixed Sideframes

## Lifting Capacities - 470 X3 with Fixed Sideframes

Radius of Load - 11' 1" (3.38 m) Arm with 22' 11" (6.98 m) Boom and 3,195 lb. (1 450 kg) Bucket with Power-Boost Applied																	
		5' 0" (1.52 m)		10' 0" (3.05 m)		15' 0" (4.57 m)		20' 0" (6.10 m)		25' 0" (7.62 m)		30' 0" (9.14 m)		35' 0" (10.66 m)		Cap at Max. Reach	
		End	Side	End	Side	End	Side	End	Side	End	Side	End	Side	End	Side	End	Side
+30' 0"	lbs															10,600*	10,600*
(9.14 m)	kg															4 808*	4 808*
+25' 0"	lbs															10,150*	10,150*
(7.62 m)	kg															4 604*	4 604*
+20' 0"	lbs									21,650*	21,650*	19,700*	17,000	14,100*	12,650	10,000*	10,000*
(6.10 m)	kg									9 820*	9 820*	8 936*	7 711	6 396*	5 738	4 536*	4 536*
+15' 0"	lbs							29,250*	29,250*	24,150*	22,250	21,100*	16,350	18,450*	12,350	10,200*	10,200*
(4.57 m)	kg							13 268*	13 268*	10 954*	10 092	9 571*	7 416	8 369*	5 602	4 627*	4 627*
+10' 0"	lbs					45,800*	45,800*	34,200*	29,900	26,900*	21,100	22,550*	15,700	19,450	12,000	10,600*	10,350
(3.05 m)	kg					20 775*	20 775*	15 513*	13 562	12 202*	9 571	10 229*	7 121	8 822	5 443	4 808*	4 695
+5' 0"	lbs					50,950*	43,250	37,750*	28,100	29,050*	20,050	23,750*	15,050	19,150	11,650	11,250*	10,250
(1.52 m)	kg					23 111*	19 618	17 123*	12 746	13 177*	9 095	10 773*	6 827	8 686	5 284	5 103*	4 649
Ground	lbs			20,800*	20,800*	50,550*	41,550	39,000*	26,950	30,050*	19,300	24,050	14,600	18,900	11,400	12,350*	10,600
Line	kg			9 435*	9 435*	22 929*	18 847	17 690*	12 224	13 630*	8 754	10 909	6 622	8 573	5 171	5 602*	4 808
-5' 0"	lbs	22,400*	22,400*	32,600*	32,600*	52,450*	41,850	38,550*	26,600	29,800*	19,000	23,800*	14,400			14,050*	11,450
(1.52 m)	kg	10 160*	10 160*	14 787*	14 787*	23 791*	18 983	17 486*	12 066	13 517*	8 618	10 796*	6 532			6 373*	5 194
-10' 0"	lbs	35,550*	35,550*	44,400*	44,400*	48,700*	42,300	36,600*	26,800	28,350*	19,100	21,850*	14,650			16,800*	13,100
(3.05 m)	kg	16 125*	16 125*	20 140*	20 140*	22 090*	19 187	16 601*	12 156	12 859*	8 664	9 911*	6 645			7 620*	5 942
-15' 0"	lbs			56,600*	56,600*	41,950*	41,900*	31,950*	27,450	24,150*	19,750					17,750*	16,150
(4.57 m)	kg			25 673*	25 673*	19 028*	19 006*	14 492*	12 451	10 954*	8 958					8 051*	7 326
-20' 0"	lbs					30,550*	30,550*	22,600*	22,600*							15,600*	15,600*
(6.10 m)	kg					13 857*	13 857*	10 251*	10 251*							7 076*	7 076*

Radius of Load - 8' 4" (2.53 m) Arm with 22' 11" (6.98 m) Boom and 3,350 lb. (1 520 kg) Bucket with Power-Boost Applied															
		10' 0" (3.05 m)		15' 0" (4.57 m)		20' 0" (6.10 m)		25' 0" (7.62 m)		30' 0" (9.14 m)		35' 0" (10.66 m)		Cap at Max. Reach	
		End	Side	End	Side	End	Side	End	Side	End	Side	End	Side	End	Side
+30' 0"	lbs							18,850*	18,850*					15,400*	15,400*
(9.14 m)	kg							8 550*	8 550*					6 985*	6 985*
+25' 0"	lbs							21,950*	21,950*	19,250*	16,900			14,650*	14,650*
(7.62 m)	kg							9 956*	9 956*	8 732*	7 666			6 645*	6 645*
+20' 0"	lbs					24,700*	24,700*	24,100*	22,750	21,300*	16,600			14,450*	13,550
(6.10 m)	kg					11 204*	11 204*	10 932*	10 319	9 662*	7 530			6 554*	6 146
+15' 0"	lbs			41,300*	41,300*	32,250*	30,850*	26,050*	21,750	22,800*	16,050			14,700*	12,300
(4.57 m)	kg			18 733*	18 733*	14 628*	13 993*	11 816*	9 866	10 342*	7 280			6 668*	5 579
+10' 0"	lbs			49,200*	44,500	36,650*	29,100	28,400*	20,700	23,650*	15,500	17,750*	11,900	15,200*	11,700
(3.05 m)	kg			22 317*	20 185	16 624*	13 200	12 882*	9 389	10 727*	7 031	8 051*	5 398	6 895*	5 307
+5' 0"	lbs			40,200*	40,200*	39,000*	27,600	30,000*	19,800	24,350*	14,950	16,550*	11,650	16,150*	11,650
(1.52 m)	kg			18 234*	18 234*	17 690*	12 519	13 608*	8 981	11 045*	6 781	7 507*	5 284	7 326*	5 284
Ground	lbs			46,150*	41,000	39,050*	26,750	30,250*	19,250	24,100	14,650			17,600*	12,100
Line	kg			20 933*	18 597	17 713*	12 134	13 721*	8 732	10 932	6 645			7 983*	5 488
-5' 0"	lbs	36,550*	36,550*	50,200*	42,000	37,950*	26,800	29,500*	19,150	23,100*	14,700			20,000*	13,300
(1.52 m)	kg	16 579*	16 579*	22 770*	19 051	17 214*	12 156	13 381*	8 686	10 478*	6 668			9 072*	6 033
-10' 0"	lbs	52,000*	52,000*	44,800*	42,500	34,600*	27,250	26,700*	19,550					19,250*	15,600
(3.05 m)	kg	23 587*	23 587*	20 321*	19 278	15 694*	12 360	12 111*	8 868					8 732*	7 076
-15' 0"	lbs	45,050*	45,050*	36,050*	36,050*	27,850*	27,400*							17,650*	17,650*
(4.57 m)	kg	20 434*	20 434*	16 352*	16 352*	12 633*	12 428*							8 006*	8 006*

### Notes: Excavator lifting capacities

- Lifting capacities shown should not be exceeded. Weight of all lifting accessories must be deducted from the above lifting capacities.
- Lifting capacities are based on machine standing on firm, uniform supporting surface. User must make allowances for job conditions such as soft or uneven ground.
- Lifting capacities shown do not exceed 75% of minimum tipping loads or 87% of hydraulic capacities. Capacities marked with an asterisk (\*) are limited by hydraulic capacities.
- Least stable position is over the side.
- Operator should be fully acquainted with the Operator's Manual & Operating Safety Booklet, furnished by LBX before operating the machine.
- Capacities apply only to the machine as originally manufactured and normally equipped by LBX Company, LLC.
- Lift capacity ratings are based on ISO 10567, "Earthmoving Machinery - Hydraulic Excavators - Lift Capacity."



# Specifications **470**X<sub>3</sub>

Lifting Capacities - Expandable Sideframes

## Lifting Capacities - 470 X3 with Expandable Sideframes

Radius of Load - 11' 1" (3.38 m) Arm with 22' 11" (6.98 m) Boom and 3,195 lb. (1 450 kg) Bucket with Power-Boost Applied																	
		5' 0" (1.52 m)		10' 0" (3.05 m)		15' 0" (4.57 m)		20' 0" (6.10 m)		25' 0" (7.62 m)		30' 0" (9.14 m)		35' 0" (10.66 m)		Cap at Max. Reach	
		End	Side	End	Side	End	Side	End	Side	End	Side	End	Side	End	Side	End	Side
+30' 0"	lbs											13,350*	13,350*			10,550*	10,550*
(9.14 m)	kg											6 055*	6 055*			4 785*	4 785*
+25' 0"	lbs											18,050*	18,050*			10,100*	10,100*
(7.62 m)	kg											8 187*	8 187*			4 581*	4 581*
+20' 0"	lbs									21,850*	21,850*	19,900*	18,350*	14,650*	13,750	10,000*	10,000*
(6.10 m)	kg									9 911*	9 911*	9 026*	8 323	6 645*	6 237	4 536*	4 536*
+15' 0"	lbs					38,750*	38,750*	29,750*	29,750*	24,400*	23,800	21,200*	17,700	18,750*	13,450	10,200*	10,200*
(4.57 m)	kg					17 577*	17 577*	13 494*	13 494*	11 068*	10 796	9 616*	8 029	8 505*	6 101	4 627*	4 627*
+10' 0"	lbs					46,550*	46,550*	34,650*	32,250	27,150*	22,750	22,700*	17,000	19,550*	13,050	10,650*	10,650*
(3.05 m)	kg					21 115*	21 115*	15 717*	14 628	12 315*	10 319	10 296*	7 711	8 868*	5 919	4 831*	4 831*
+5' 0"	lbs					51,300*	47,050	37,950*	30,450	29,250*	21,750	23,850*	16,350	19,750	12,700	11,350*	11,300
(1.52 m)	kg					23 269*	21 342	17 214*	13 812	13 268*	9 866	10 818*	7 416	8 958	5 761	5 148*	5 126
Ground	lbs			22,100*	22,100*	50,900*	45,350	39,000*	29,300	30,100*	21,000	24,200*	15,900	19,500	12,500	12,500*	11,700
Line	kg			10 024*	10 024*	23 088*	20 570	17 690*	13 290	13 653*	9 525	10 977*	7 212	8 845	5 670	5 307	5 307
-5' 0"	lbs	23,850*	23,850*	33,600*	33,600*	52,200*	45,900	38,450*	29,050	29,750*	20,750	23,700*	15,750			14,300*	12,700
(1.52 m)	kg	10 818*	10 818*	15 241*	15 241*	23 678*	20 820	17 441*	13 177	13 494*	9 412	10 750*	7 144			6 486*	5 761
-10' 0"	lbs	36,350*	36,350*	45,750*	45,750*	48,150*	46,050	36,250*	29,300	28,050*	20,900	21,500*	16,050			17,300*	14,600
(3.05 m)	kg	16 488*	16 488*	20 752*	20 752*	21 840*	20 888	16 443*	13 290	12 723*	9 480	9 752*	7 280			7 847*	6 622
-15' 0"	lbs			55,250*	55,250*	41,050*	41,050*	31,300*	29,550	23,500*	21,300					17,650*	17,650*
(4.57 m)	kg			25 061*	25 061*	18 620*	18 620*	14 197*	13 404	10 659*	9 662					8 006*	8 006*
-20' 0"	lbs					29,000*	29,000*	21,200*	21,200*							15,250*	15,250*
(6.10 m)	kg					13 154*	13 154*	9 616*	9 616*							6 917*	6 917*

Radius of Load - 8' 4" (2.53 m) Arm with 22' 11" (6.98 m) Boom and 3,350 lb. (1 520 kg) Bucket with Power-Boost Applied															
		10' 0" (3.05 m)		15' 0" (4.57 m)		20' 0" (6.10 m)		25' 0" (7.62 m)		30' 0" (9.14 m)		35' 0" (10.66 m)		Cap at Max. Reach	
		End	Side	End	Side	End	Side	End	Side	End	Side	End	Side	End	Side
+30' 0"	lbs							19,650*	19,650*					15,300*	15,300*
(9.14 m)	kg							8 913*	8 913*					6 940*	6 940*
+25' 0"	lbs							22,200*	22,200*	20,250*	18,300			14,600*	14,600*
(7.62 m)	kg							10 070*	10 070*	9 185*	8 301			6 622*	6 622*
+20' 0"	lbs					27,850*	27,850*	24,250*	24,000	21,450*	17,950			14,450*	14,450*
(6.10 m)	kg					12 633*	12 633*	11 000*	10 886	9 730*	8 142			6 554*	6 554*
+15' 0"	lbs			42,150*	42,150*	32,750*	32,700	26,300*	23,400	22,900*	17,400			14,750*	13,350
(4.57 m)	kg			19 119*	19 119*	14 855*	14 832	11 929*	10 614	10 387*	7 893			6 690*	6 055
+10' 0"	lbs			49,800*	48,250	37,000*	31,400	28,650*	22,350	23,750*	16,800	17,950*	13,000	15,300*	12,750
(3.05 m)	kg			22 589*	21 886	16 783*	14 243	12 995*	10 138	10 773*	7 620	8 142*	5 897	6 940*	5 783
+5' 0"	lbs			40,200*	40,200*	39,050*	29,950	30,100*	21,500	24,400*	16,300			16,200*	12,750
(1.52 m)	kg			18 234*	18 234*	17 713*	13 585	13 653*	9 752	11 068*	7 394			7 348*	5 783
Ground	lbs			47,300*	44,900	39,000*	29,200	30,200*	20,950	24,300*	16,000			17,850*	13,350
Line	kg			21 455*	20 366	17 690*	13 245	13 698*	9 503	11 022*	7 257			8 097*	6 055
-5' 0"	lbs	37,650*	37,650*	49,750*	46,000	37,750*	29,300	29,350*	20,950	22,850*	16,100			19,950*	14,750
(1.52 m)	kg	17 078*	17 078*	22 566*	20 865	17 123*	13 290	13 313*	9 503	10 365*	7 303			9 049*	6 690
-10' 0"	lbs	53,950*	53,950*	44,150*	44,150*	34,150*	29,750	26,250*	21,350					19,250*	17,350
(3.05 m)	kg	24 471*	24 471*	20 026*	20 026*	15 490*	13 494	11 907*	9 684					8 732*	7 870
-15' 0"	lbs	43,450*	43,450*	34,900*	34,900*	26,900*	26,900*							17,400*	17,400*
(4.57 m)	kg	19 709*	19 709*	15 830*	15 830*	12 202*	12 202*							7 893*	7 893*



# Specifications **470**X<sub>3</sub>

Lifting Capacities - Mass Excavators

## Lifting Capacities - 470 X3 Mass Excavator with Fixed Sideframes

Radius of Load - 8' 4" (2.53 m) Arm with 22' 11" (6.98 m) Boom and 5,291 lb. (2 400 kg) Bucket with Power-Boost Applied															
		5' 0" (1.52 m)		10' 0" (3.05 m)		15' 0" (4.57 m)		20' 0" (6.10 m)		25' 0" (7.62 m)		30' 0" (9.14 m)		Cap at Max. Reach	
		End	Side	End	Side	End	Side	End	Side	End	Side	End	Side	End	Side
+30' 0"	lbs									18,950*	18,950*			13,450*	13,450*
(9.14 m)	kg									8 596*	8 596*			6 101*	6 101*
+25' 0"	lbs									20,700*	20,700*	12,850*	12,850*	12,650*	12,650*
(7.62 m)	kg									9 389*	9 389*	5 829*	5 829*	5 738*	5 738*
+20' 0"	lbs							24,500*	24,500*	22,750*	21,800*	20,000*	15,400*	12,300*	12,300*
(6.10 m)	kg							11 113*	11 113*	10 319*	9 888*	9 072*	6 985*	5 579*	5 579*
+15' 0"	lbs			36,700*	36,700*	38,250*	38,250*	30,650*	30,000*	24,850*	20,900*	21,200*	14,950*	12,400*	11,550*
(4.57 m)	kg			16 647*	16 647*	17 350*	17 350*	13 903*	13 608*	11 272*	9 480*	9 616*	6 781*	5 625*	5 239*
+10' 0"	lbs					45,850*	45,400*	34,950*	28,700*	27,100*	19,800*	22,350*	14,350*	12,850*	10,900*
(3.05 m)	kg					20 797*	20 593*	15 853*	13 018*	12 292*	8 981*	10 138*	6 509*	5 829*	4 944*
+5' 0"	lbs					51,350*	42,050*	37,450*	27,000*	28,550*	18,850*	22,850*	13,800*	13,750*	10,850*
(1.52 m)	kg					23 292*	19 074*	16 987*	12 247*	12 950*	8 550*	10 365*	6 260*	6 237*	4 921*
Ground	lbs			29,700*	29,700*	52,250*	40,800*	37,650*	25,900*	28,750*	18,200*	22,750*	13,450*	15,250*	11,400*
Line	kg			13 472*	13 472*	23 700*	18 507*	17 078*	11 748*	13 041*	8 255*	10 319*	6 101*	6 917*	5 171*
-5' 0"	lbs	28,950*	28,950*	43,100*	43,100*	49,650*	41,350*	36,600*	25,750*	27,900*	18,000*	21,000*	13,500*	17,750*	12,700*
(1.52 m)	kg	13 132*	13 132*	19 550*	19 550*	22 521*	18 756*	16 601*	11 680*	12 655*	8 165*	9 525*	6 123*	8 051*	5 761*
-10' 0"	lbs			59,400*	59,400*	44,050*	41,450*	33,100*	26,200*	24,600*	18,500*			18,000*	15,250*
(3.05 m)	kg			26 943*	26 943*	19 981*	18 801*	15 014*	11 884*	11 158*	8 391*			8 165*	6 917*
-15' 0"	lbs			44,550*	44,550*	34,250*	34,250*	25,300*	25,300*					15,850*	15,850*
(4.57 m)	kg			20 208*	20 208*	15 536*	15 536*	11 476*	11 476*					7 189*	7 189*

## Lifting Capacities - 470 X3 Mass Excavator with Expandable Sideframes

Radius of Load - 8' 4" (2.53 m) Arm with 22' 11" (6.98 m) Boom and 5,291 lb. (2 400 kg) Bucket with Power-Boost Applied															
		5' 0" (1.52 m)		10' 0" (3.05 m)		15' 0" (4.57 m)		20' 0" (6.10 m)		25' 0" (7.62 m)		30' 0" (9.14 m)		Cap at Max. Reach	
		End	Side	End	Side	End	Side	End	Side	End	Side	End	Side	End	Side
+30' 0"	lbs									20,100*	20,100*			13,350*	13,350*
(9.14 m)	kg									9 117*	9 117*			6 055*	6 055*
+25' 0"	lbs									20,800*	20,800*	14,850*	14,850*	12,600*	12,600*
(7.62 m)	kg									9 435*	9 435*	6 736*	6 736*	5 715*	5 715*
+20' 0"	lbs							26,550*	26,550*	22,900*	22,850*	20,100*	16,550*	12,300*	12,300*
(6.10 m)	kg							12 043*	12 043*	10 387*	10 365*	9 117*	7 507*	5 579*	5 579*
+15' 0"	lbs					39,000*	39,000*	31,100*	31,100*	25,100*	22,350*	21,350*	16,050*	12,450*	12,450*
(4.57 m)	kg					17 690*	17 690*	14 107*	14 107*	11 385*	10 138*	9 684*	7 280*	5 647*	5 647*
+10' 0"	lbs					46,500*	46,500*	35,300*	30,700*	27,300*	21,250*	22,450*	15,450*	12,900*	11,850*
(3.05 m)	kg					21 092*	21 092*	16 012*	13 925*	12 383*	9 639*	10 183*	7 008*	5 851*	5 375*
+5' 0"	lbs					51,650*	45,450*	37,550*	29,000*	28,650*	20,300*	22,850*	14,950*	13,900*	11,850*
(1.52 m)	kg					23 428*	20 616*	17 032*	13 154*	12 995*	9 208*	10 365*	6 781*	6 305*	5 375*
Ground	lbs			30,750*	30,750*	52,100*	44,350*	37,600*	27,950*	28,700*	19,650*	22,700*	14,600*	15,450*	12,500*
Line	kg			13 948*	13 948*	23 632*	20 117*	17 055*	12 678*	13 018*	8 913*	10 297*	6 622*	7 008*	5 670*
-5' 0"	lbs	32,050*	32,050*	44,650*	44,650*	49,250*	44,950*	36,400*	27,900*	27,750*	19,500*	20,650*	14,700*	18,100*	14,000*
(1.52 m)	kg	14 438*	14 438*	20 253*	20 253*	22 339*	20 389*	16 511*	12 655*	12 587*	8 845*	9 367*	6 668*	8 210*	6 350*
-10' 0"	lbs			58,250*	58,250*	43,300*	43,300*	32,550*	28,350*	24,050*	20,000*			17,850*	16,900*
(3.05 m)	kg			26 422*	26 422*	19 641*	19 641*	14 764*	12 859*	10 909*	9 072*			8 097*	7 666*
-15' 0"	lbs			42,700*	42,700*	32,950*	32,950*	24,150*	24,150*					15,600*	15,600*
(4.57 m)	kg			19 368*	19 368*	14 946*	14 946*	10 954*	10 954*					7 076*	7 076*

# 470X<sub>3</sub> Specifications

## Standard and Optional Equipment

### Standard and Optional Equipment

CAB		REAR VIEW MIRRORS	
12V Power Outlet	✓	Rear View Mirrors	✓
24V Lighter	✓	Roof Sun Shade	✓
AM/FM Sound System	✓	Safety Glass Windows	✓
Anti-Theft Device	✓	Seat Recline	✓
Ashtray	✓	Selectable Monitor Languages	✓
Auxiliary Switches on Control Lever	✓	Side View Camera	●
Cab Exterior Light Harness	✓	Small Storage	✓
Cab Filter - External	✓	Sun Visor	●
Cab Handrails	✓	Travel Alarm with Cancel Switch	✓
Cab Interior Light	✓	Trip Meter - Digital	✓
Cab Lights	✓	Wiper & Washer	✓
Cab Iso-Mounts	✓	Wiper Switch on RH Joystick	✓
Clear Roof Window	✓	<b>ENGINE</b>	
Climate Control A/C and Heater	✓	Air Filter - Double Element	✓
Console Tilt	✓	Air Filter Restriction Indicator	✓
Cup Holder	✓	Air Pre-Cleaner	✓
Defroster	✓	Auto Warm-Up System	✓
Digital Clock	✓	Auto-Idle	✓
ECO Gauge	✓	Auto-Idle Engine Shutdown	✓
Emergency Exit and Hammer	✓	CEGR - Cooled Exhaust Gas Recirculation	✓
Face Vent	✓	Cooling Fan (reversible)	✓
Floor Mat	✓	Diesel Oxidation Catalyst (DOC)	✓
Front Guard (mesh)	●	Diesel Particulate Filter (DPF)	✓
Front Guard (OPG 1,2)	✓	Drain for Fuel Tank	✓
Front Window One-Touch Lock	✓	Dual Remote Fuel Filters & Water Separation	✓
Gate Lock Hydraulic Activation	✓	EGR Coolers	✓
Horn	✓	Emergency Engine Stop	✓
Hot & Cool Box	✓	Engine Idle System	✓
Hour Meter - Digital	✓	Remote Engine Oil Drain	✓
KAB 815 Suspension Seat	✓	Engine Protection Feature	✓
KAB 855 Air-Suspension	●	External Fuel Gauge	✓
LED Color Monitor	✓	Fan Housing	✓
Magazine Rack	✓	Fuel Filter Restriction Indicator	✓
Maintenance Interval Reminders	✓	Fuel Management System	✓
MP3 Auxiliary Input Jack	✓	Fuel Shut-Off Valve	✓
On-Board Diagnostic System	✓	Fuel Usage Monitor	✓
One-Piece Right Window	✓	Glow Plug Pre-Heat	✓
Radio Mute Switch	✓	Idle-Start	✓
Rear View Camera	✓	Intercooler	✓
		Neutral Start	✓
		One-Touch Idle	✓
		Passive Emissions-Regeneration	✓
		Radiator / Oil Cooler Protective Screen	✓
		Regeneration Gauge on Monitor	✓
		Remote Oil Filter	✓
		VGT Turbocharger	✓

#### Equipment Key

Standard ✓ Optional ●

### HYDRAULICS

Arm Regeneration	✓
Arm Speed Assistance - 2 Pump Flow	✓
Attachment Cushion Valve	✓
Auto Swing Priority	✓
Auxiliary Flow Control	✓
Auxiliary Tool Settings - Memory	✓
Auxiliary Valve	✓
Boom Regeneration	✓
Boom Speed Assistance - 2 Pump Flow	✓
Bucket Curl Assist	✓
Control Levers Pre-Wired for Auxiliary	✓
Control Pattern Changer (2 way)	✓
Fire Wall	✓
Free Swing	●
Holding Valve - Arm	✓
Holding Valve - Boom	✓
Hose Burst Check Valve	●
Hydraulic Filter Restriction Indicator	✓
Long Life Hydraulic Oil - 5,000 Hour	✓
Neutral Pump De-stroke	✓
Oil Cooler	✓
Power Boost	✓
Pressure Reading on Monitor	✓
Pump Stand-By Pressure	✓
Single Pedal Travel	✓
Straight Travel Circuit	✓

### AUXILIARY HYDRAULIC OPTIONS

Single-Acting Aux. with Switch Activation	●
Single-Acting Aux. with Pedal Activation	●
Thumb Auxiliary with Switch Activation	●
Multi-Function Aux. with Switch Activation	●
Secondary Aux. with Switch Activation	●
Combination Aux. with Switch Activation	●

### UNDERCARRIAGE

750 mm shoes (29.5 in) 3-Bar Steel	●
900 mm shoes (35.5 in) 3-Bar Steel	✓
Steps	✓
Carbody Belly Pan (swivel guard)	✓
Track Guide (double)	✓
Track Guide (full length)	●
Long Undercarriage	✓
Sealed Link Chain	✓
Strutted Track Chain	✓

### UPPERSTRUCTURE

Belly Pans	✓
Catwalks	✓
Center Cover (Over Main CV)	✓
Counterweight Removal System	●
Fuel Tank Belly Pan	✓
Hand Rail - RH Access	✓
Lifting Eyes for Counterweight	✓
Lockable Fuel Cap and Service Doors	✓
Rubber Bumper Guards	●
Tool Box - Lockable	✓
Turntable Tub	✓
Work Lights - Boom and Tool Box	✓

### ATTACHMENT

8' 4" (2.53 m) Short Arm	●
11' 1" (3.38 m) Arm	●
13' 2" (4.00 m) Long Arm	●
15' 11" (4.85 m) Long Arm	●
22' 11" (6.98 m) Main Boom Section	●
21' 6" (6.55 m) Mass Excavator Boom Section	●
Attachment Reinforcement Plate (boom+arm)	●
Auxiliary Pipe Brackets	✓
Boom Work Light	✓
Bucket Anti-Clatter Device	✓
Chrome pins	✓
Easy Maintenance System	✓
HD Bucket Link	✓
Quick Couplers	●
Remote Lube Bank	✓
Teardrop pin retention keepers	✓
Thumbs	●

### PARTS KIT

Bucket Anti-Clatter Device	✓
Engine Manual	✓
Engine Oil Filter	✓
Filter Wrench	✓
Steps	✓
Fuel Filters	✓
Grease Gun	✓
Green Plug Drain Hose for Engine	✓
Oil Drain	✓
Hydraulic Return Filter	✓
Ignition Keys	✓
Pilot Circuit Hydraulic Filter	✓
Rearview Mirrors	✓
Work Light for Boom	✓

## Bucket Sizes

### 470 X3 with fixed sideframe

Bucket Type	Capacity	Width Outside Lip	Weight	Teeth				
				#	Arm 8' 4" (2.53 m)	Arm 11' 1" (3.38 m)	Arm 13' 2" (4.0 m)	Arm 15' 11" (4.85 m)
1.	<sup>3</sup> (1.35 m <sup>3</sup> )	3 (914 mm)	2 0 .(1 318 kg)	4				
2.14	<sup>3</sup> (1.64 m <sup>3</sup> )	42 (1 067 mm)	3 20 .(1 454 kg)	5				
2.52	<sup>3</sup> (1.93 m <sup>3</sup> )	4 (1 219 mm)	3 405 .(1 545 kg)	5				
2. 1	<sup>3</sup> (2.22 m <sup>3</sup> )	54 (1 372 mm)	3 05 .(1 681 kg)					
3.2	<sup>3</sup> (2.52 m <sup>3</sup> )	0 (1 524 mm)	3 03 .(1 770 kg)					
4.05	<sup>3</sup> (3.10 m <sup>3</sup> )	(1 676 mm)	4 .(2 131 kg)					
1. 3	<sup>3</sup> (1.32 m <sup>3</sup> )	3 (914 mm)	3 50 .(1 591 kg)	4				
2.10	<sup>3</sup> (1.61 m <sup>3</sup> )	42 (1 067 mm)	3 4 .(1 745 kg)	5				
2.4	<sup>3</sup> (1.90 m <sup>3</sup> )	4 (1 219 mm)	4 10 .(1 863 kg)	5				
2. 5	<sup>3</sup> (2.18 m <sup>3</sup> )	54 (1 372 mm)	4 44 .(2 018 kg)					
3.24	<sup>3</sup> (2.48 m <sup>3</sup> )	0 (1 524 mm)	4 0 .(2 135 kg)					
1.3	<sup>3</sup> (1.05 m <sup>3</sup> )	30 (762 mm)	3 4 .(1 574 kg)	3				
1. 3	<sup>3</sup> (1.32 m <sup>3</sup> )	3 (914 mm)	3 3 .(1 741 kg)	4				
2.1	<sup>3</sup> (1.61 m <sup>3</sup> )	42 (1 067 mm)	4 144 .(1 880 kg)	4				
2.4	<sup>3</sup> (1.90 m <sup>3</sup> )	4 (1 219 mm)	4 4 5 .(2 034 kg)	5				
1. 4	<sup>3</sup> (1.25 m <sup>3</sup> )	3 (914 mm)	5 4 0 .(2 477 kg)	4				
1.	<sup>3</sup> (1.51 m <sup>3</sup> )	42 (1 067 mm)	5 2 .(2 644 kg)	5				
2.31	<sup>3</sup> (1.77 m <sup>3</sup> )	4 (1 219 mm)	120 .(2 943 kg)	5				
2. 5	<sup>3</sup> (2.03 m <sup>3</sup> )	54 (1 372 mm)	4 .(2 943 kg)					
2.	<sup>3</sup> (2.29 m <sup>3</sup> )	0 (1 524 mm)	0 .(3 075 kg)					

### 470 X3 with expandable sideframe

Bucket Type	Capacity	Width Outside Lip	Weight	Teeth				
				#	Arm 8' 4" (2.53 m)	Arm 11' 1" (3.38 m)	Arm 13' 2" (4.0 m)	Arm 15' 11" (4.85 m)
1.	<sup>3</sup> (1.35 m <sup>3</sup> )	3 (914 mm)	2 0 .(1 318 kg)	4				
2.14	<sup>3</sup> (1.64 m <sup>3</sup> )	42 (1 067 mm)	3 20 .(1 454 kg)	5				
2.52	<sup>3</sup> (1.93 m <sup>3</sup> )	4 (1 219 mm)	3 405 .(1 545 kg)	5				
2. 1	<sup>3</sup> (2.22 m <sup>3</sup> )	54 (1 372 mm)	3 05 .(1 681 kg)					
3.2	<sup>3</sup> (2.52 m <sup>3</sup> )	0 (1 524 mm)	3 03 .(1 770 kg)					
4.05	<sup>3</sup> (3.10 m <sup>3</sup> )	(1 676 mm)	4 .(2 131 kg)					
1. 3	<sup>3</sup> (1.32 m <sup>3</sup> )	3 (914 mm)	3 50 .(1 591 kg)	4				
2.10	<sup>3</sup> (1.61 m <sup>3</sup> )	42 (1 067 mm)	3 4 .(1 745 kg)	5				
2.4	<sup>3</sup> (1.90 m <sup>3</sup> )	4 (1 219 mm)	4 10 .(1 863 kg)	5				
2. 5	<sup>3</sup> (2.18 m <sup>3</sup> )	54 (1 372 mm)	4 44 .(2 018 kg)					
3.24	<sup>3</sup> (2.48 m <sup>3</sup> )	0 (1 524 mm)	4 0 .(2 135 kg)					
1.3	<sup>3</sup> (1.05 m <sup>3</sup> )	30 (762 mm)	3 4 .(1 574 kg)	3				
1. 3	<sup>3</sup> (1.32 m <sup>3</sup> )	3 (914 mm)	3 3 .(1 741 kg)	4				
2.1	<sup>3</sup> (1.61 m <sup>3</sup> )	42 (1 067 mm)	4 144 .(1 880 kg)	4				
2.4	<sup>3</sup> (1.90 m <sup>3</sup> )	4 (1 219 mm)	4 4 5 .(2 034 kg)	5				
1. 4	<sup>3</sup> (1.25 m <sup>3</sup> )	3 (914 mm)	5 4 0 .(2 477 kg)	4				
1.	<sup>3</sup> (1.51 m <sup>3</sup> )	42 (1 067 mm)	5 2 .(2 644 kg)	5				
2.31	<sup>3</sup> (1.77 m <sup>3</sup> )	4 (1 219 mm)	120 .(2 943 kg)	5				
2. 5	<sup>3</sup> (2.03 m <sup>3</sup> )	54 (1 372 mm)	4 .(2 943 kg)					
2.	<sup>3</sup> (2.29 m <sup>3</sup> )	0 (1 524 mm)	0 .(3 075 kg)					

### Approval Code For Arm/Bucket Combinations

H	Heavy material (up to 3,370 lbs./yd <sup>3</sup> )
M	Medium material (up to 2,700 lbs./yd <sup>3</sup> )
L	Light material (up to 2,020 lbs./yd <sup>3</sup> )
N/A	Not applicable

### Litho in USA 4/12 #LBX2208

are registered trademarks. Copyright 2012. All rights reserved. We are constantly improving our products and therefore reserve the right to change designs and specifications.

**LBX**  
"Different by Design"